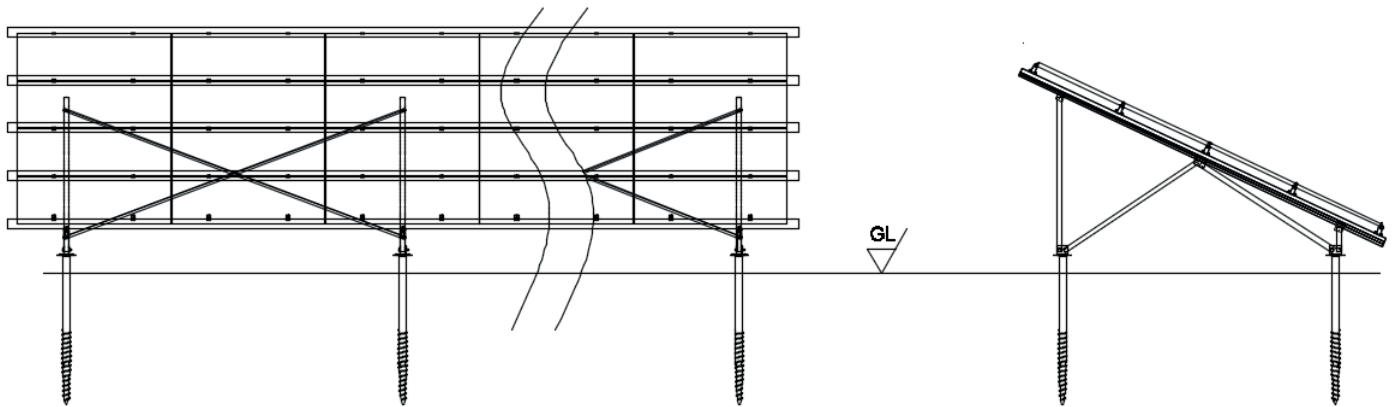
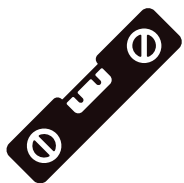


833SOLAR.COM/DESCARGAS

Características

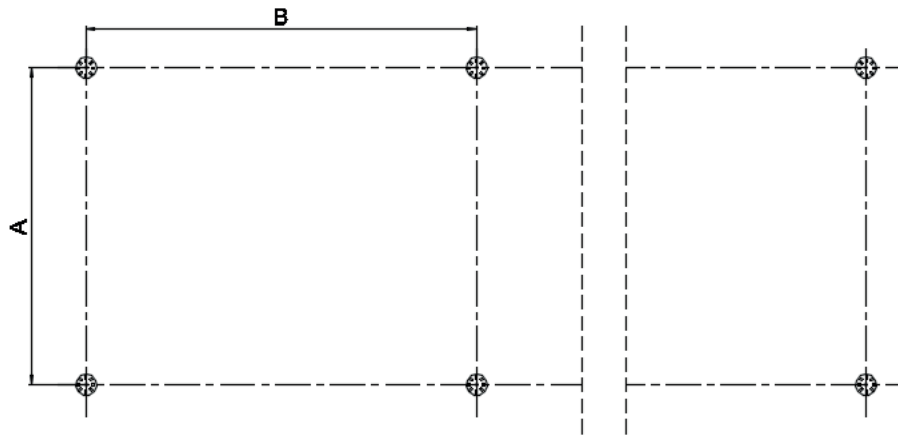


Herramientas

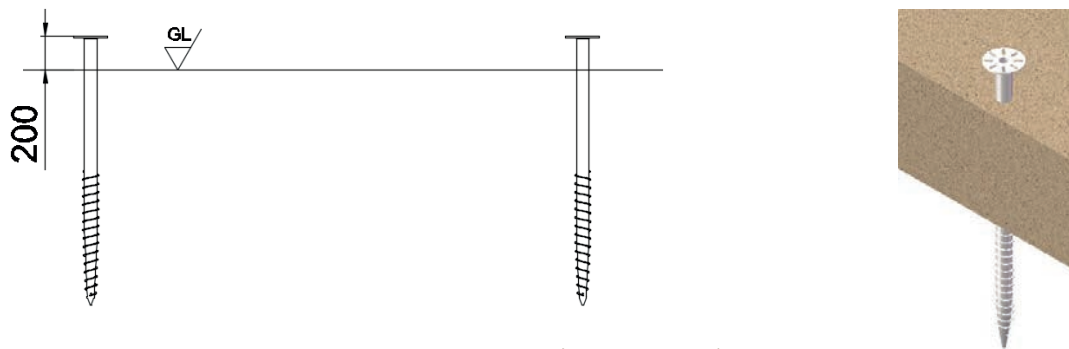


Install Step:

Positioning foundation.
According to the drawing, confirm the foundation space.

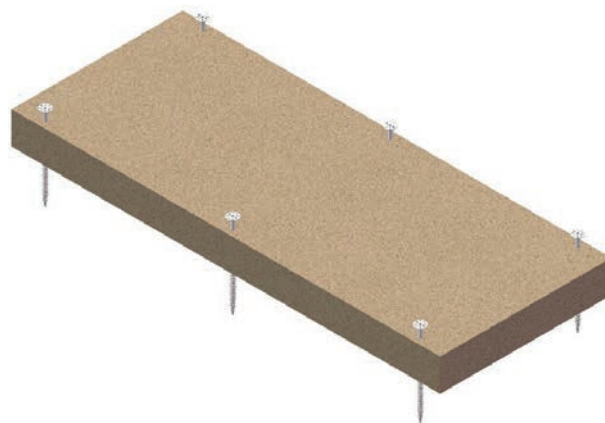


Foundation (*vertical view*)



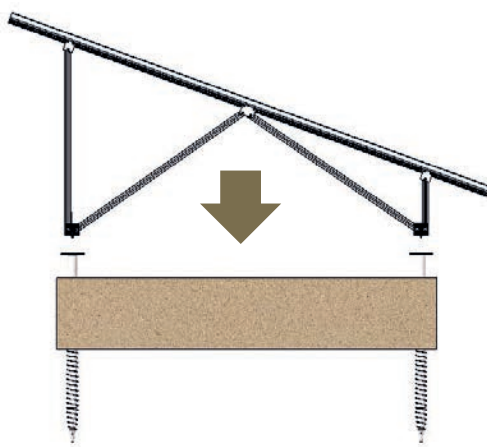
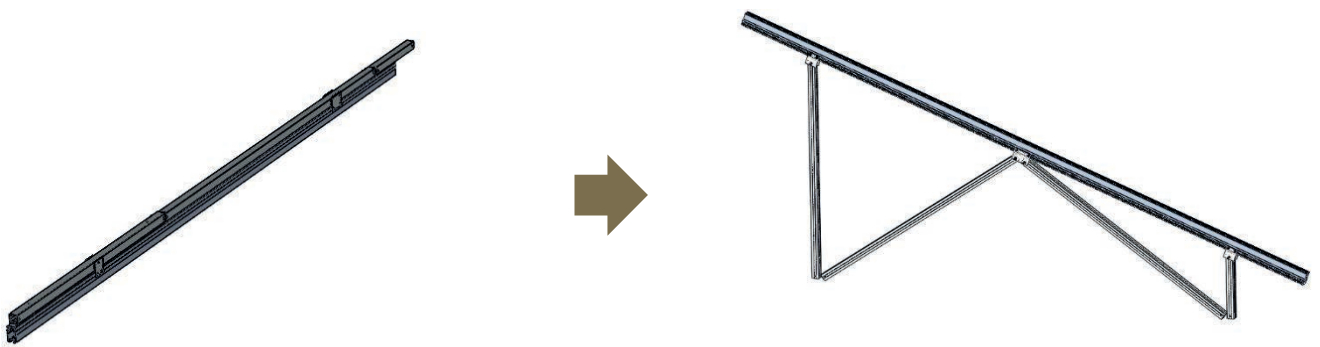
Foundation (*side view*)

Foundation finished



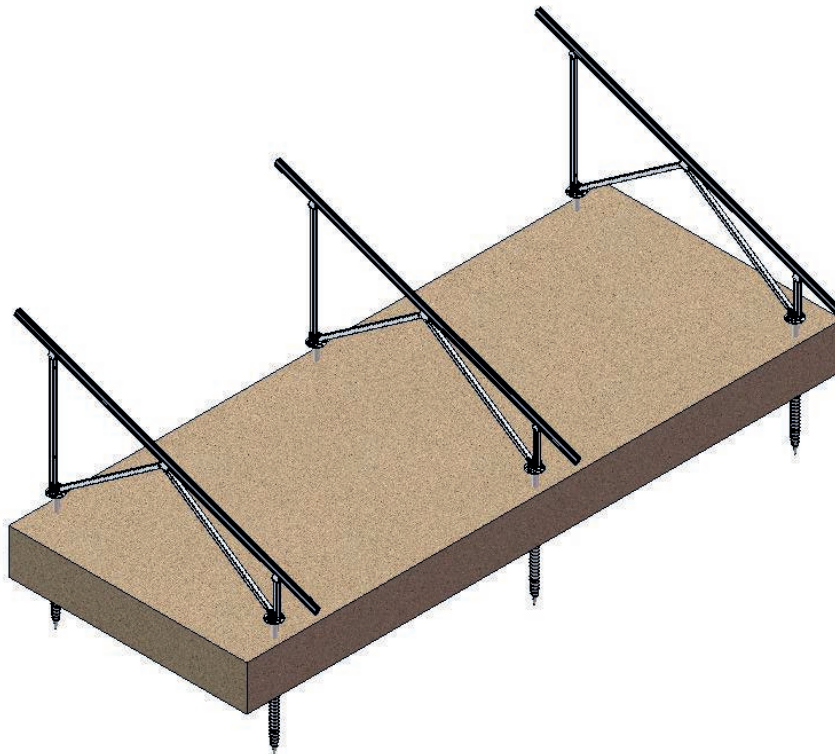
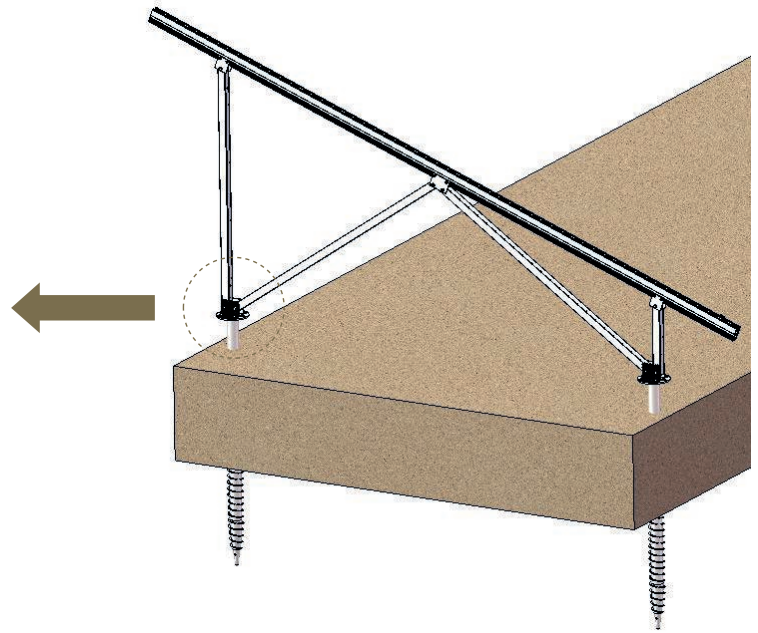
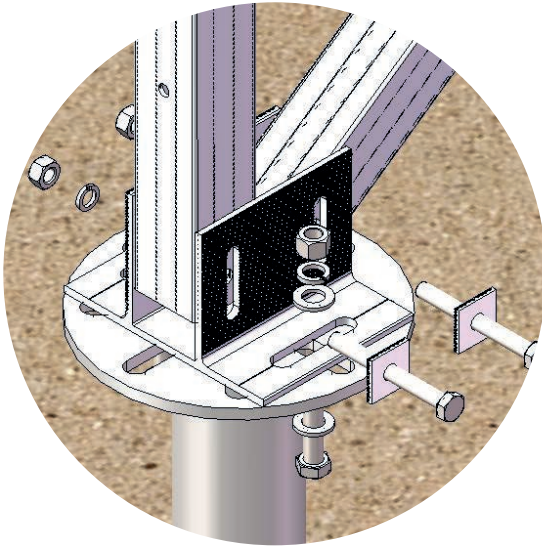
Install Pre-assembled Leg:

Unfasten the pre-assembled leg.



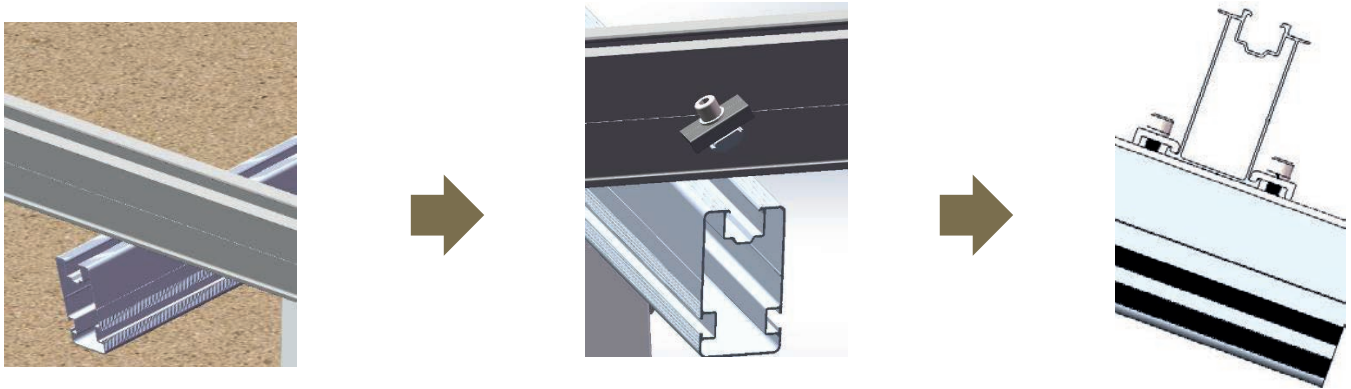
Install Pre-assembled Leg:

Repeat the above operation in accordance with the planned array layout.

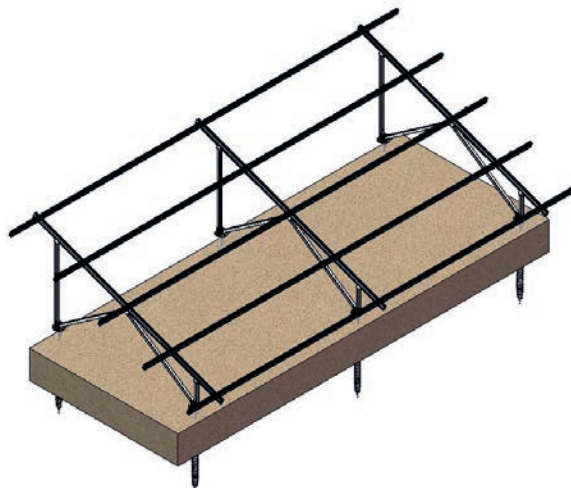
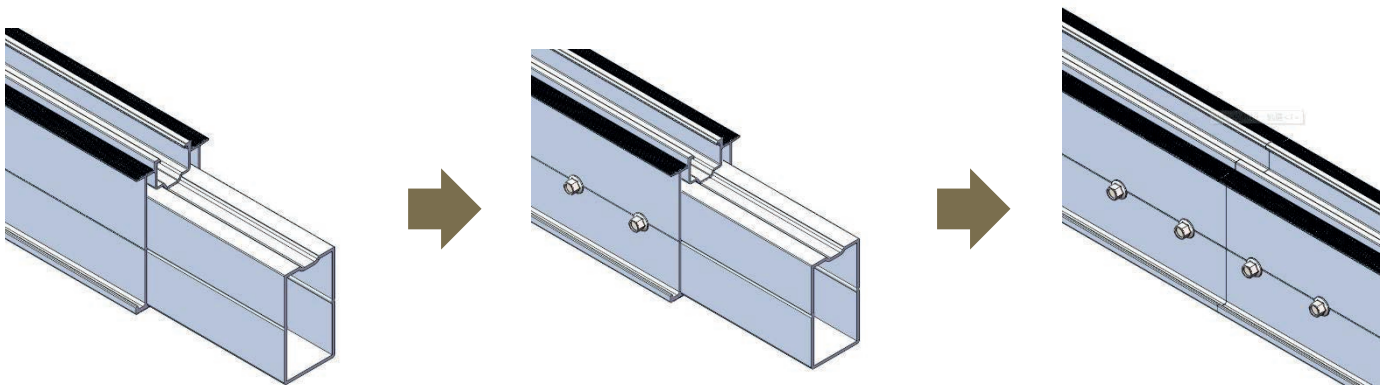


Install Cross Rail

Place the Rails onto main beam, fixed the rail with rail clamps.



Rail connect use ST5.5X19 tapping screw fixed :



Installing Solar panel

